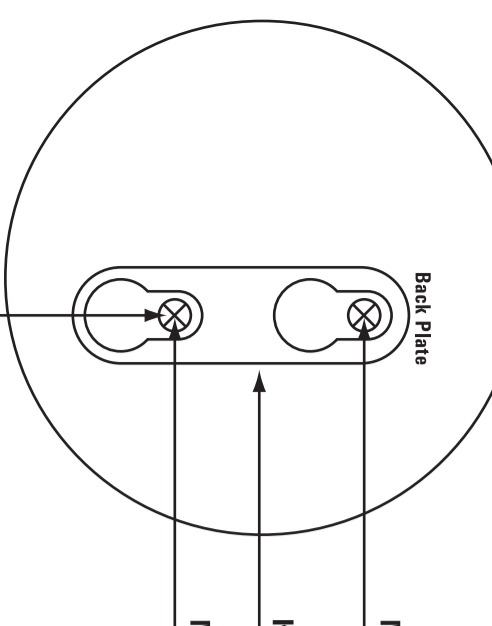


• 24" TOWEL BAR • PORTE SERVIETTES DE 61 cm (24 po) • BARRA DE 61 cm PARA TOALLAS (24 pulgadas)

Back Plate



Mark for screw

Keyhole Hanger

Mark for screw

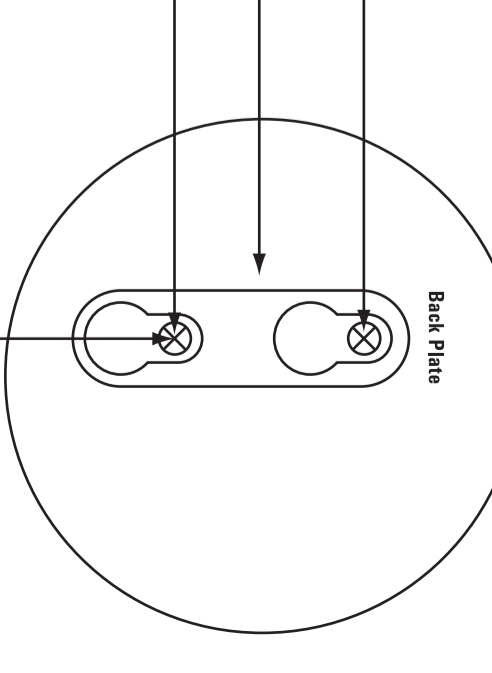
INSTALLATION INSTRUCTIONS:

1. Position template on desired location.
2. Using a pencil or other marking tool, mark hole locations on the wall.
3. If mounting to wall studs, pre-drill holes using a 1/8" drill bit. If no wall studs are available, pre-drill holes for enclosed wall anchors using a 3/16" drill bit.
4. Position keyhole hanger(s) on the screws and firmly push down to secure in place

CARE INSTRUCTIONS:

To preserve the finish of this product, clean only with a soft damp cloth. Dry well. Do not use commercial or abrasive cleaners.

Back Plate



Mark for screw

Keyhole Hanger

Mark for screw

The distance between these two points must be exactly 21-1/8"