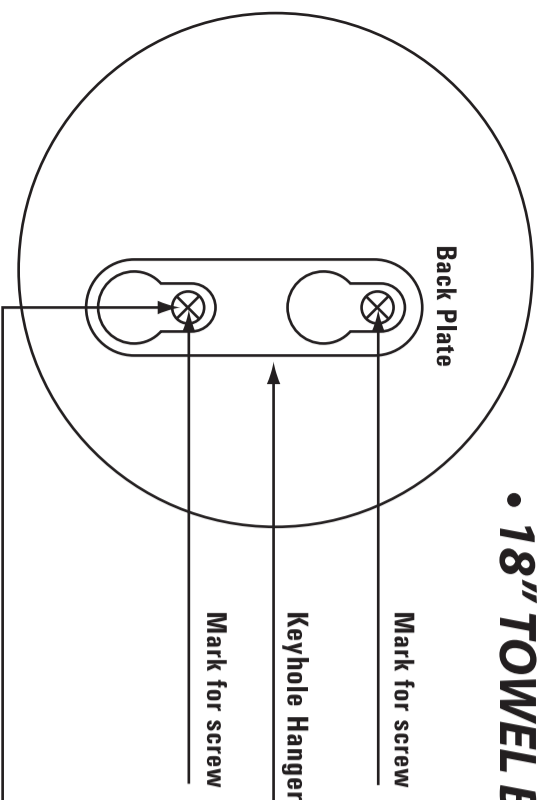


• 18" TOWEL BAR • PORTE SERVIETTES DE 46 cm (18 po) • BARRA DE 46 cm PARA TOALLAS (18 pulgadas)



Back Plate

Mark for screw

Keyhole Hanger

Mark for screw

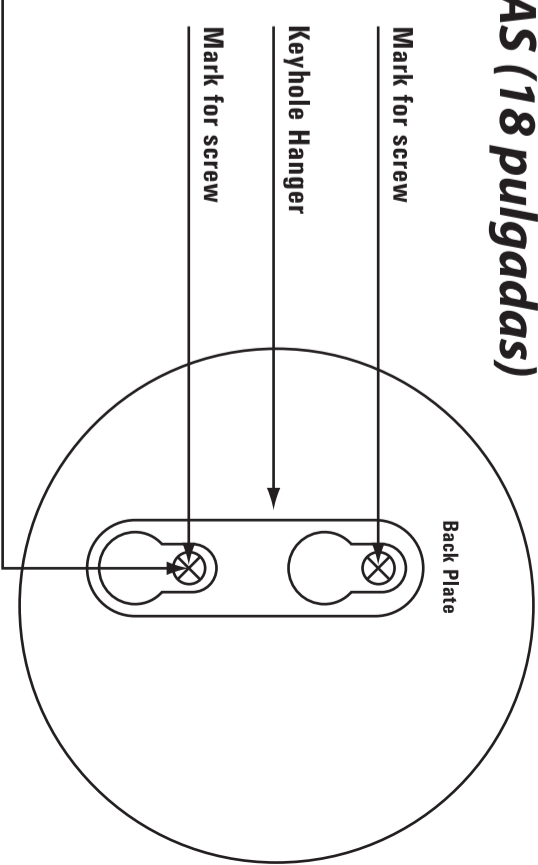
INSTALLATION INSTRUCTIONS:

1. Position template on desired location.
2. Using a pencil or other marking tool, mark hole locations on the wall.
3. If mounting to wall studs, pre-drill holes using a 1/8" drill bit. If no wall studs are available, pre-drill holes for enclosed wall anchors using a 3/16" drill bit.
4. Position keyhole hanger(s) on the screws and firmly push down to secure in place.

CARE INSTRUCTIONS:

To preserve the finish of this product, clean only with a soft damp cloth. Dry well. Do not use commercial or abrasive cleaners.

The distance between these two points must be exactly 15-1/16"



Back Plate

Mark for screw

Keyhole Hanger

Mark for screw