

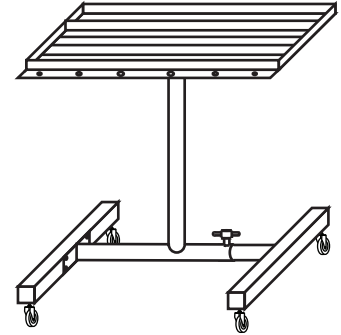
# Owners Manual For Tool Cart

## SKU#261-4140

Customer Service:  
Decko Products  
2301 Traffic St. NE  
Minneapolis, MN 55413  
1-800-495-9278

### PLEASE READ THE FOLLOWING CAREFULLY

THE MANUFACTURER AND OR DISTRIBUTOR HAS PROVIDED THE PARTS DIAGRAM IN THIS MANUAL AS A REFERENCE TOOL ONLY: NEITHER THE MANUFACTURER NOR DISTRIBUTOR MAKES ANY REPRESENTATION OR WARRANTY OF ANY KIND TO THE BUYER THAT HE OR SHE IS QUALIFIED TO MAKE ANY REPAIRS TO THE PRODUCT OR THAT HE OR SHE IS QUALIFIED TO REPLACE ANY PARTS OF THE PRODUCT: IN FACT THE MANUFACTURER AND/OR DISTRIBUTOR EXPRESSLY STATE THAT ALL REPAIRS AND PARTS REPLACEMENTS SHOULD BE UNDERTAKEN BY CERTIFIED AND LICENSED TECHNICIANS AND NOT BY THE BUYER. THE BUYER ASSUMES ALL RISK AND LIABILITY ARISING OUT OF HIS OR HER REPAIRS TO THE ORIGINAL PRODUCT OR REPLACEMENT PARTS THERETO, OR ARISING OUT OF HIS OR HER INSTALLATION OF REPLACEMENT PARTS THERETO.



### NOTICE

The Warnings, Cautions, and Instructions discussed in this instruction manual cannot cover all possible conditions and situations, which may occur. It must be understood by the operator that common sense and caution are factors, which cannot be built into this product, but must be observed by the owner or operator.

### INSTRUCTIONS BEFORE USING IS PRODUCT!

- 1. WORK AREA / SURROUNDINGS:** Unclean cluttered work areas can cause environments. Do not use this product in damp, wet, or poorly lit location keep work area clean and well lit.
- 2. KEEP AWAY FROM CHILDREN:** Never allow children in a work area" Do not allow children to handle this product and any tools or equipment.
- 3. STORAGE:** When not in use, always store in a dry location to resist rust. Always store in a secure location out of the reach of children.
- 4. USE OF PRODUCT:** Never use inappropriate attachments or manipulate this work table in an attempt to exceed this work table capabilities. Inappropriate use or manipulation can cause serious injury and will void any and all warranties.
- 5. USE PROPER SAFETY CLOTHING:** Wearing of loose clothing or cosmetic items may cause injury. When operating this product, use of eye protection, gloves, protective clothing, and nonskid footwear is recommended at all times. Always wear appropriate work clothing when using this product.
- 6. DO NOT OVERREACH:** Keep proper footing and balance at all times" Never extend reach over or across tools or equipment.
- 7. MAINTAIN WITH CARE:** Always keep work table clean and properly assembled for safe and proper performance.

### Special warnings when using this compact table cart

- 1. Wear appropriate eye protection, work gloves, safety shoes, and protective clothing when handling using this work table.**
- 2. Use caution when handling oils, tools, and work materials. Each can present hazardous situations. Check with all manufacturer's warnings and instructions when using other tools or materials.**
- 3. Always keep weight load evenly balanced on the work table. Excessively heavy loads on the top or on one-side of the work table may create an unstable situation, with danger of the work table tipping over and causing serious injury to a person or property.**
- 4. Do not use solvents or flammable materials to clean this work table. A mild soap detergent with warm water is sufficient. Solvents may damage the wheels or the paint and can create fire hazards.**

### Warning

Never have unbalanced large weight load of materials/supplies on the top tray of work table. Always use a stable, level surface at all times to prevent tipping or rolling. NEVER overload work table, the recommended weight capacity is 200lbs. ANY of the above situations can cause serious injury and damage to persons or property.

### Maintenance:

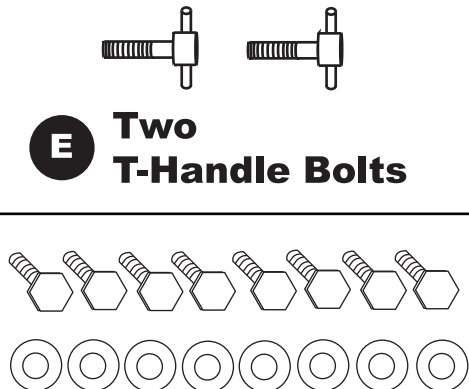
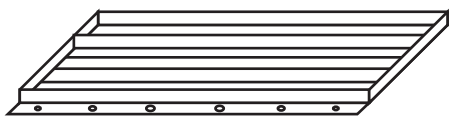
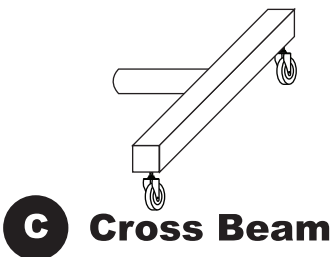
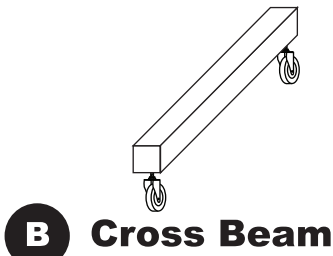
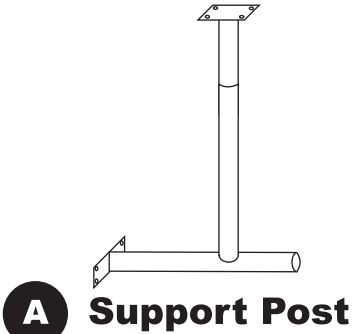
- 1. Occasionally lubricate the caster axles, locking bolt threads, and movable parts of thee work table with light grease.**
- 2. When necessary, clean with mild detergent and water, then dry off work table. Do not expose for prolonged periods to wet or corrosive conditions.**
- 3. Cover and store work table in a dry, protected environment when not in use.**

# Tool Cart Assembly Instructions

## Tools Required

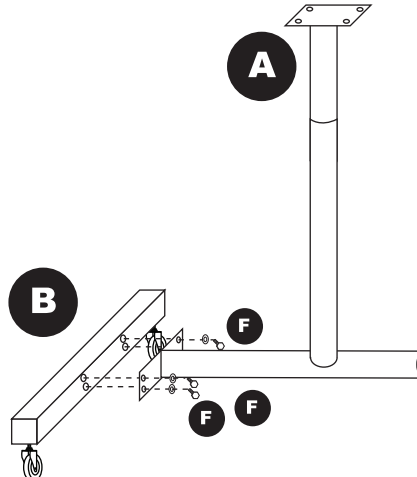
1. Cresent Wrench

## Tool Cart Parts List



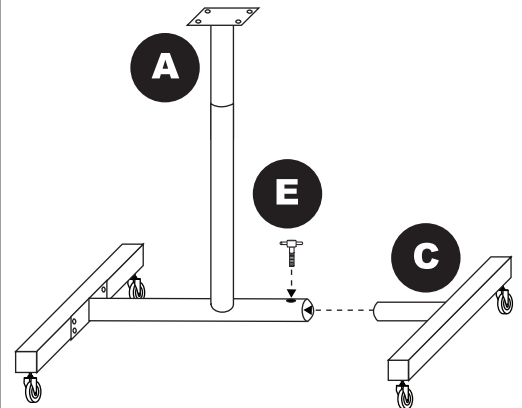
## Step 1 Assembly

Connect the cross beam (B) to the support post (A) using 4 bolts and 4 washers (F).



## Step 2 Assembly

Connect the cross beam (C) into the support post (A). Secure by screwing in one t-handle bolt (E)



## Step 3 Assembly

Install the tool pan (D) to the support post (A) using the remaining 4 bolts and 4 washers (F). Finish by installing the remaining t-handle bolt (E) into the support post (A).

