

Tie Support Assembly Instructions:

1. Install racking beams at desired location.
2. Assemble tie supports by connecting together as shown in Figure 1. Note the different configurations for 17", 24" & 30" uprights. Secure using nuts and bolts.
3. Attach tie supports to the beams using one bolt and one lock nut at each end as shown in Figure 1.

To prevent beam rotation
Both front and back tie supports must be used

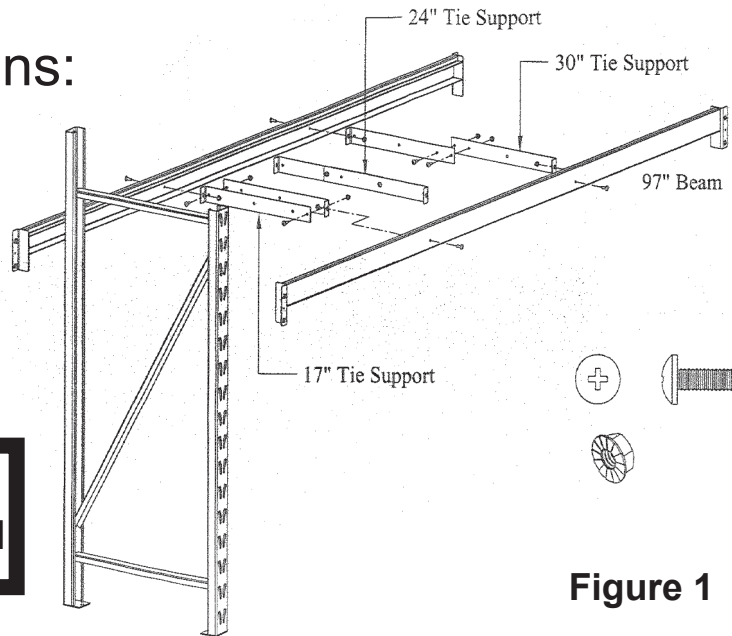


Figure 1