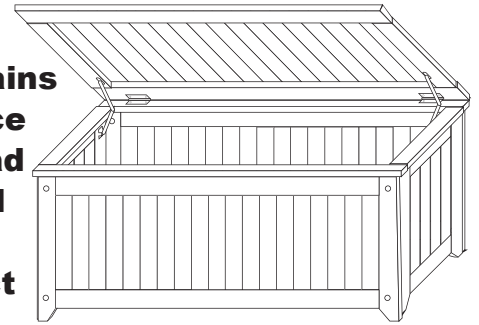


# Owners Manual For Deck Box Model# 82200

Customer Service:  
Decko Products  
2301 Traffic St. NE  
Minneapolis, MN 55413  
1-800-495-9278

Thank You for your purchase of a finely crafted piece of furniture from Decko Products. The following contains assembly instructions as well as care and maintenance suggestions. Please take a moment to completely read and familiarize yourself with this information. You will then be ready to assemble your furniture. If you have any questions regarding your purchase, please contact us at 1-800-495-9278



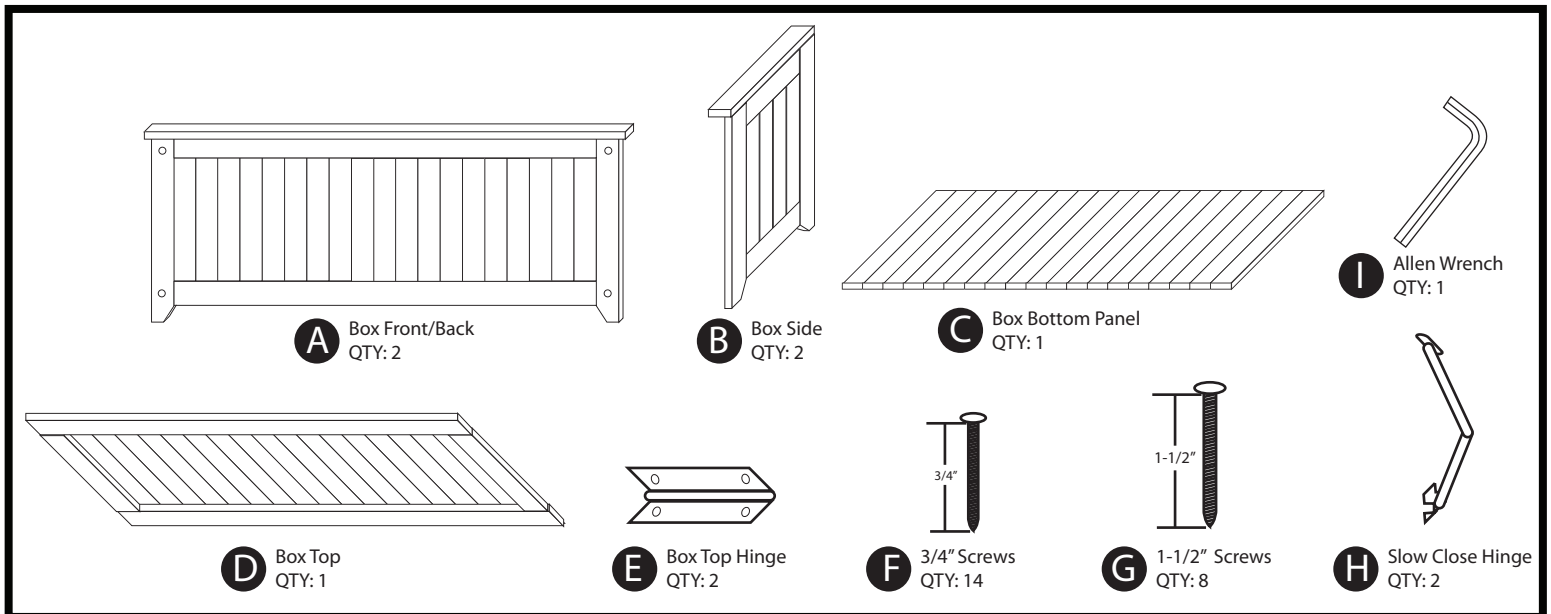
Your Decko furniture is made from high quality, select grade fir. It is naturally resistant to rot and decay. The wood is pre-finished with a high quality oil stain which will protect it from the elements. It is recommended to re-apply a high quality oil stain each year or when the finish shows signs of wear. This will ensure years of trouble free use.

## MAINTENANCE

Very little maintenance is required for your furniture. Periodically check all fasteners to make sure they are properly secured. Re-tighten if necessary.

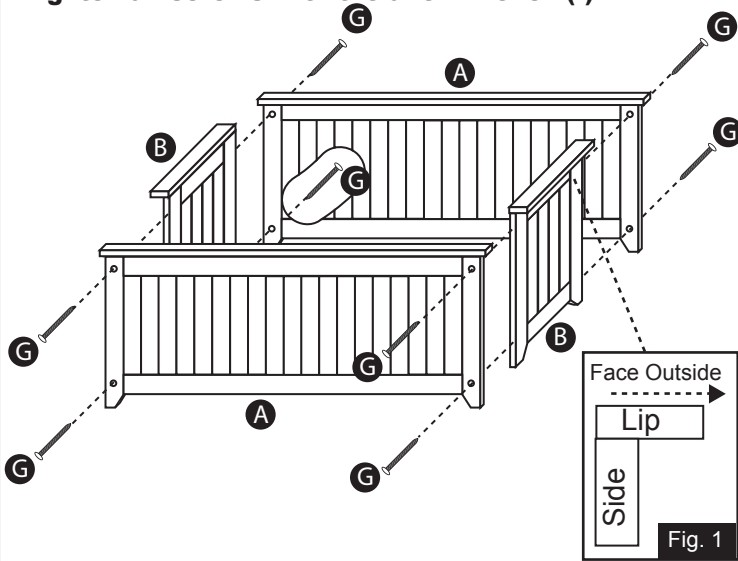
**NOTE:** It is NOT recommended to use power tools for assembly. They may cause over tightening and damage to your furniture.

## Deck Box Hardware and Parts



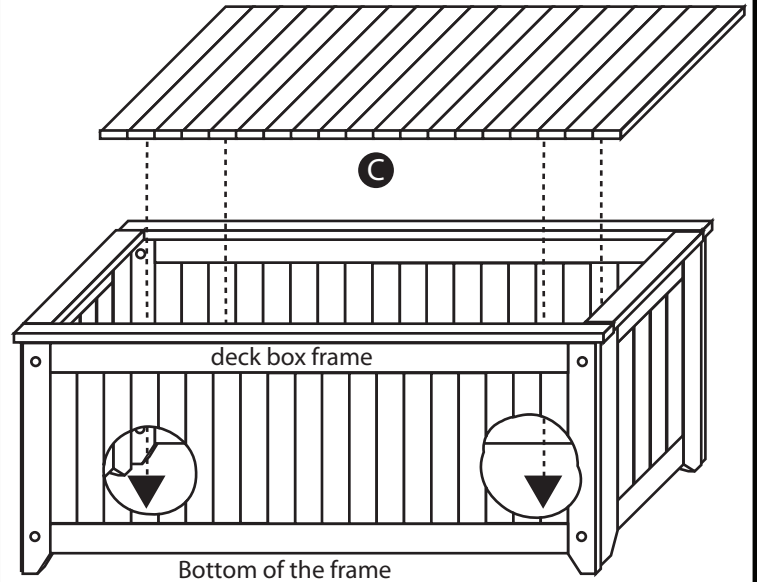
## Step 1 Assembly

Attach the front and back (A) to the box sides (B) by using eight 1-1/2" Screws (G). NOTE: Make sure to face the lip of each side to the outside, see figure 1. Tighten all screws with the allen wrench (I).



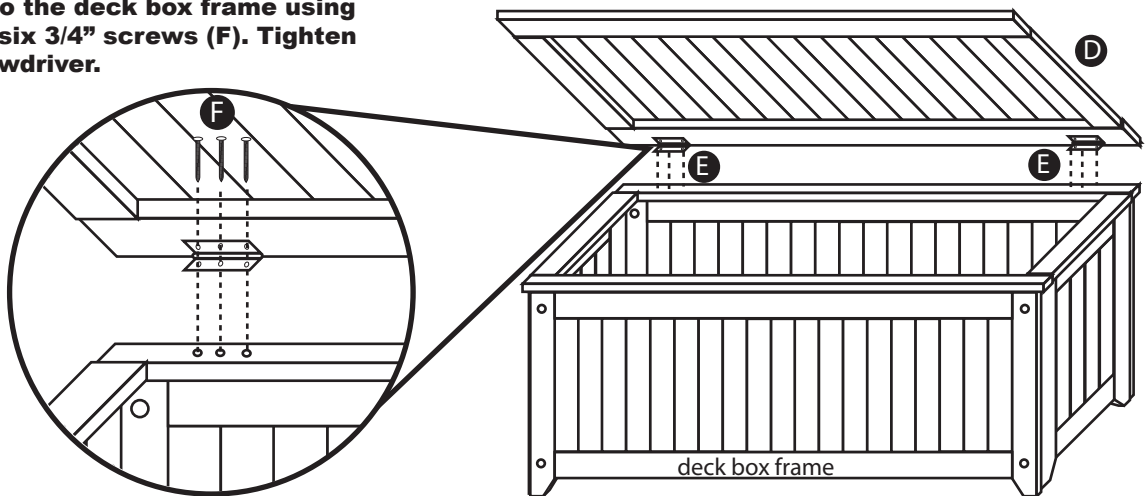
## Step 2 Assembly

Place box bottom panel (C) inside the deck box frame. The bottom rests on cleats inside the deck box.



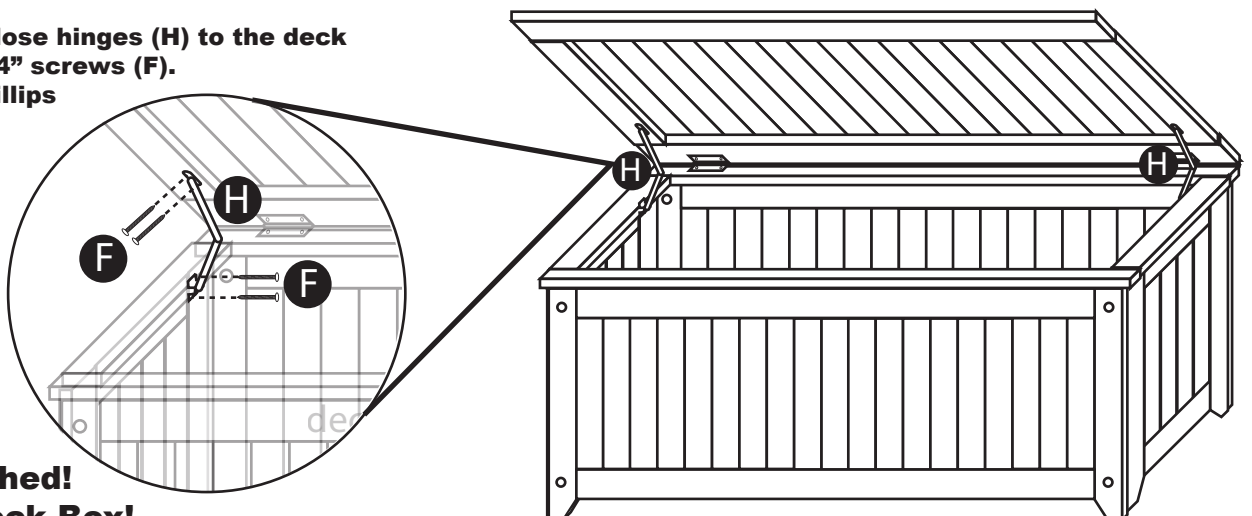
## Step 3 Assembly

Attach the top (D) to the deck box frame using two (E) hinges and six 3/4" screws (F). Tighten with a Phillips screwdriver.



## Step 4 Assembly

Attach the slow close hinges (H) to the deck box using eight 3/4" screws (F). Tighten with a Phillips screwdriver.



**Your Finished!**  
**Enjoy Your Deck Box!**