

Kids Adirondack Chair

Model# 82174

Customer Service:
Decko Products
2301 Traffic St. NE
Minneapolis, MN 55413
1-800-495-9278

Thank You for your purchase of a finely crafted piece Adirondack Chair from Decko Products. The following contains assembly instructions as well as care and maintenance suggestions. Please take a moment to completely read and familiarize yourself with this information. You will then be ready to assemble your chair. If you have any questions regarding your purchase, please contact us at 1-800-495-9278



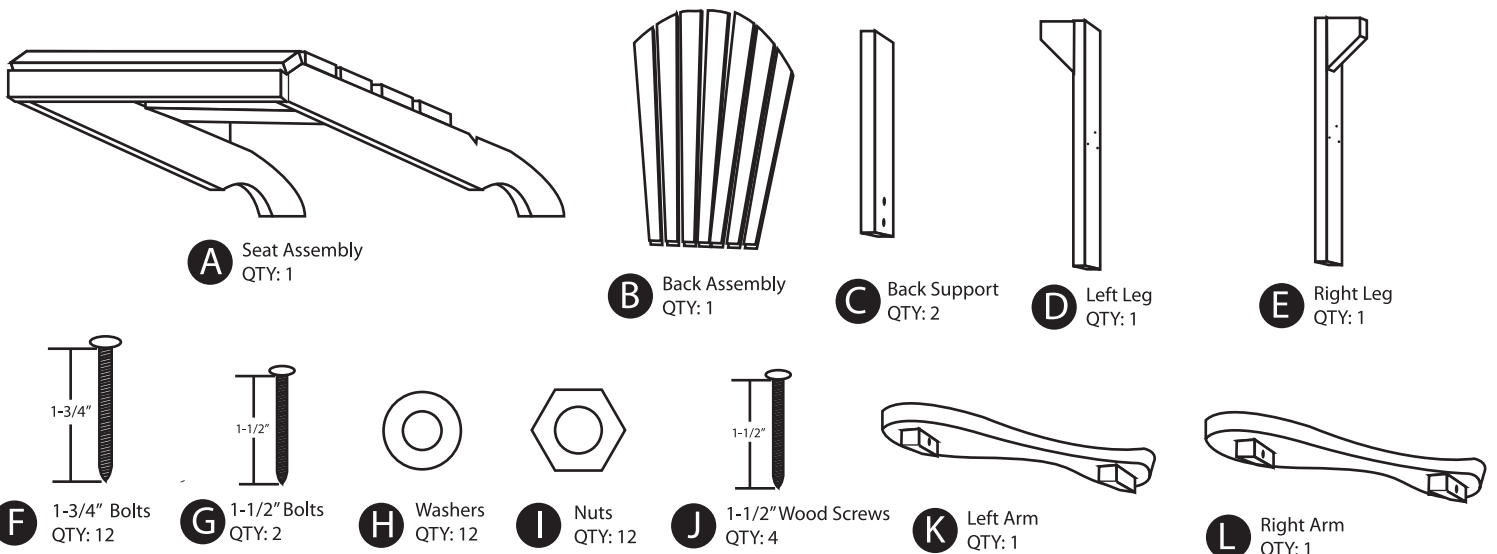
Your Decko furniture is made from high quality, select grade fir. It is naturally resistant to rot and decay. The wood is pre-finished with a high quality oil stain which will protect it from the elements. It is recommended to re-apply a high quality oil stain each year or when the finish shows signs of wear. This will ensure years of trouble free use.

MAINTENANCE

Very little maintenance is required for your furniture. Periodically check all fasteners to make sure they are properly secured. Re-tighten if necessary.

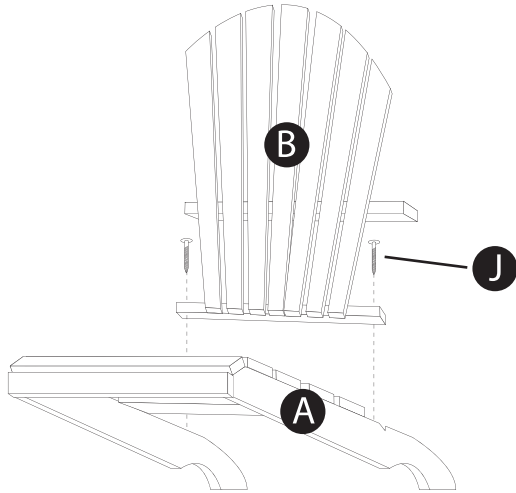
NOTE: It is NOT recommended to use power tools for assembly. They may cause over tightening and damage to your furniture.

Parts List



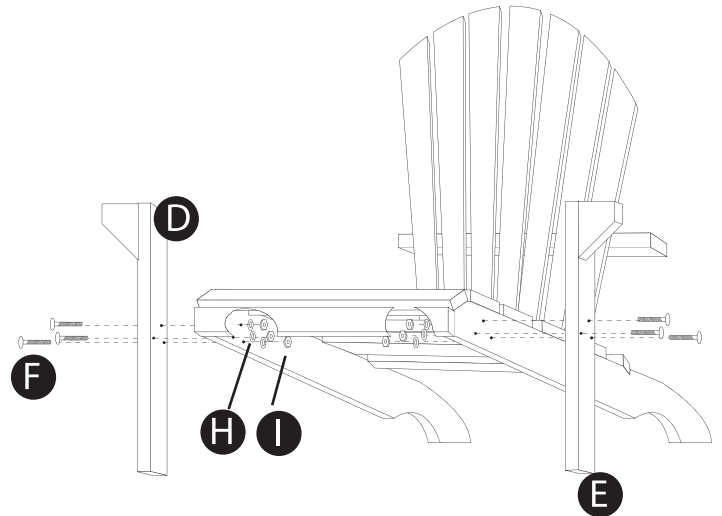
Step 1 Assembly

Attach the back assembly (B) to the seat assembly (A) using two 1-1/2" wood screws (J). Securely tighten with a phillips screwdriver.

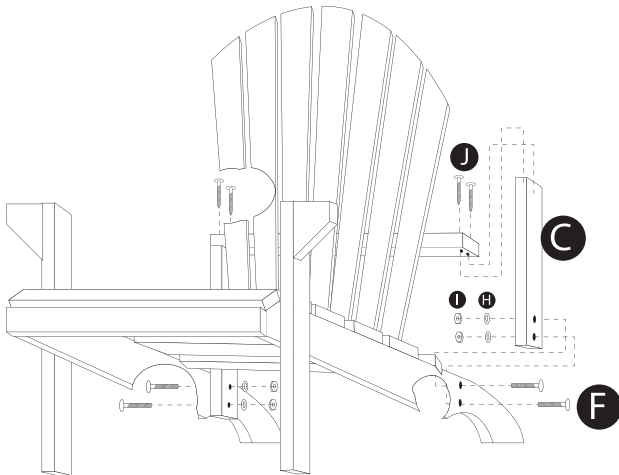


Step 2 Assembly

Attach the left (D) and right (E) legs to the seat assembly using six 1-3/4" bolts (F), washers (H), and nuts (I)



Step 3 Assembly

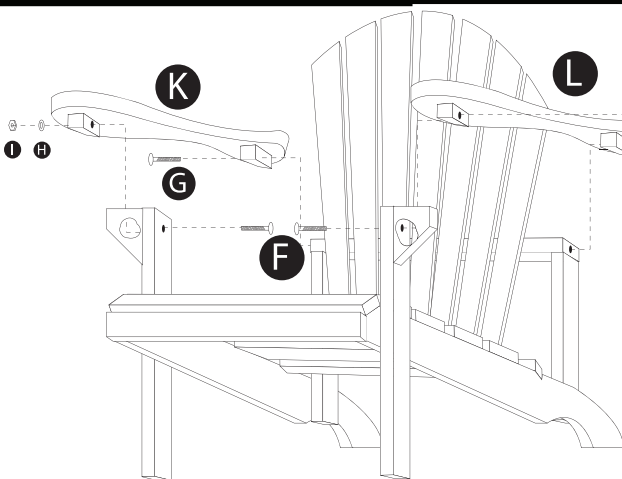


1. Attach the bottom of the back support (C) to the seat assembly using two 1-3/4" bolts (F), washers (H) and nuts (I). Finger tighten only at this time.

2. Attach the top of the back support (C) to the back assembly using two 1-1/2" wood screws (J). Securely tighten with a phillips screwdriver.

3. Repeat above steps for assembly on the left side and securely tighten all fasteners.

Step 4 Assembly



1. Attach the back of the left arm (K) to the chair assembly using a 1-1/2" bolt (G). Finger tighten only at this point

2. Attach the front of the arm (K) to the leg using a 1-13/4" bolt (F), washer (H) and nut (I). Note the orientation of the bolt in the figure.

3. Repeat above steps for assembly on the right side and securely tighten all fasteners.

You are Finished!
Enjoy Your Chair