

# CARE & MAINTENANCE

## FINISHING TIPS (For unfinished wood)

Your Decko Woods furniture is made from high quality, select grade fir. It is naturally resistant to rot and decay. Proper finishing will help assure the beauty and durability of your chair. If you choose to paint your chair, you should use an exterior primer followed by a high quality exterior oil or latex based paint. If you choose to have the product retain its natural color, you should apply a natural oil-based stain or preservative annually or as needed. When finishing, make sure you also treat the ends of the wood parts that come in contact with the ground.

If you leave the chair without adding any finish, it will weather to a silver gray color.

Contact your local paint store, home center or hardware store for other finishing recommendations.

## MAINTENANCE

Very little maintenance is required for your furniture. Periodically check all fasteners to make sure they are properly secured. Re-tighten if necessary.

# ADIRONDACK ROCKER ASSEMBLY AND CARE INSTRUCTIONS

For 82016 & 82017 Models

Thank You for your purchase of a finely crafted piece of furniture from Decko Woods. The following contains instructions for assembly as well as care and maintenance instructions. Please take a moment to completely read and familiarize yourself with this information. You will then be ready to assemble your furniture. If you have any questions regarding your purchase, please contact us at 1-800-495-9278

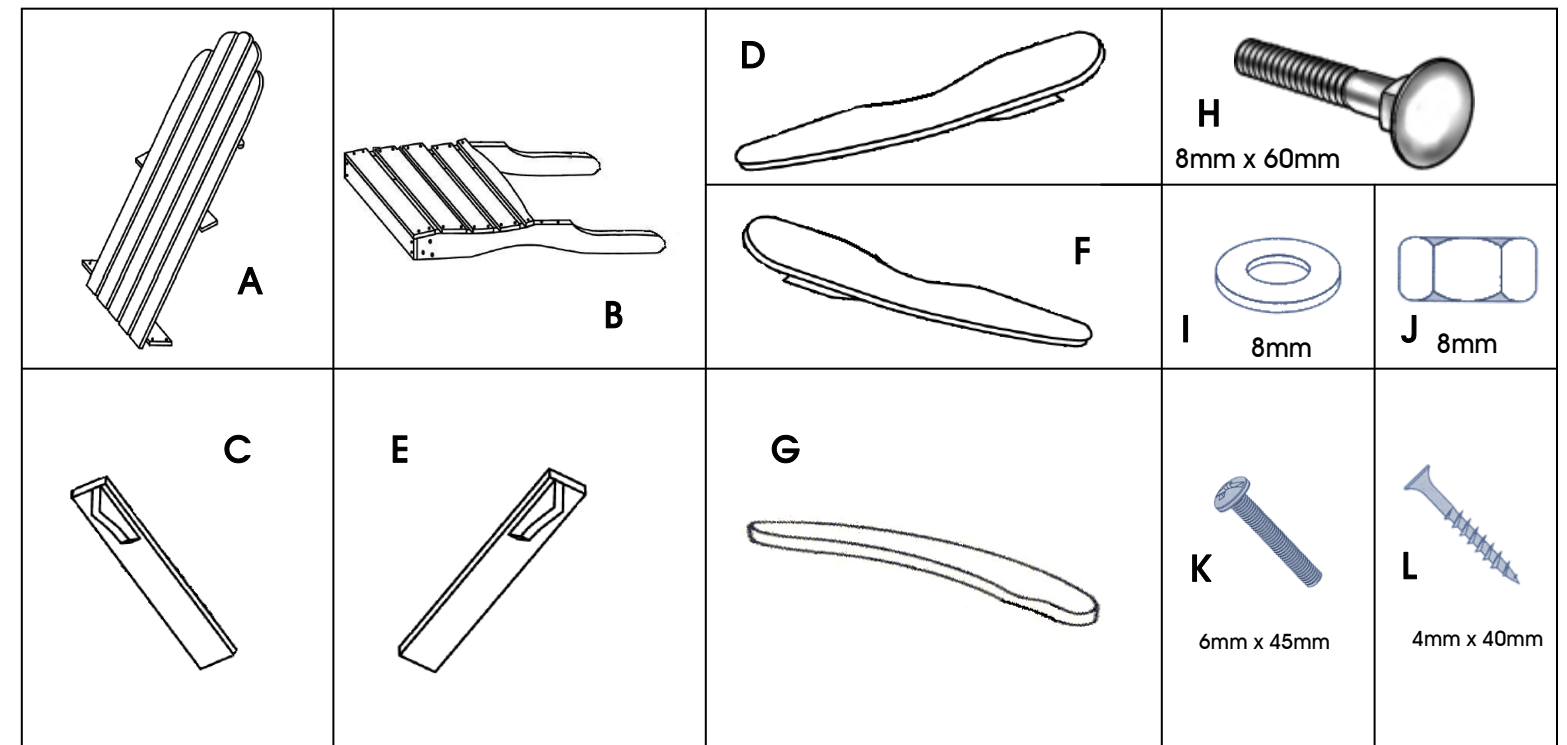
## Parts List & Hardware

Item	Qty	Description
A	1	Back Assembly
B	1	Seat Assembly
C	1	Left Leg
D	1	Left Arm
E	1	Right Leg
F	1	Right Arm
G	2	Rockers
H	12	Carriage bolt - 8mm x 60mm
I	12	Washer - 8mm
J	12	Nut - 8mm
K	2	Bolt - 6mm x 45mm
L	6	Wood Screw - 4mm x 40mm

## Tools Needed:

- Hammer (to tap in fasteners before tightening)
- Phillips Head Screwdriver
- Adjustable wrench

**NOTE:** It is **NOT** recommended to use power tools for assembly. They may cause over tightening and damage to your chair.



Decko Products  
2301 Traffic Street NE  
Minneapolis, MN 55413  
1-800-495-9278

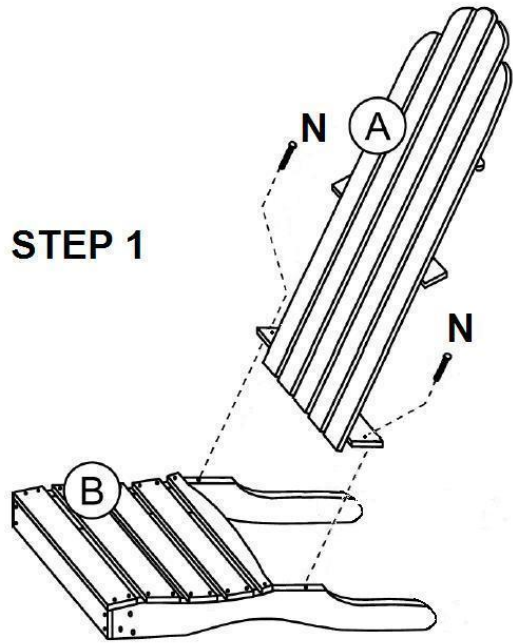
## ASSEMBLY TIPS

-Carefully read all of the steps and acquaint yourself with the wood parts and fastener sizes before starting assembly.

-Separate fasteners by size before starting assembly.

-During assembly all hardware should be semi tightened until the final step.

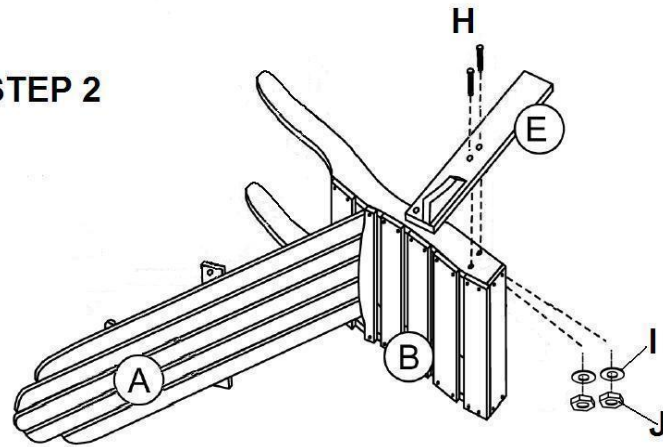
### STEP 1



### STEP 1

Lay seat assembly (B) flat on the ground. Using two 4 x 40 mm wood screws (N), attach the back assembly (A) to the seat assembly.

### STEP 2

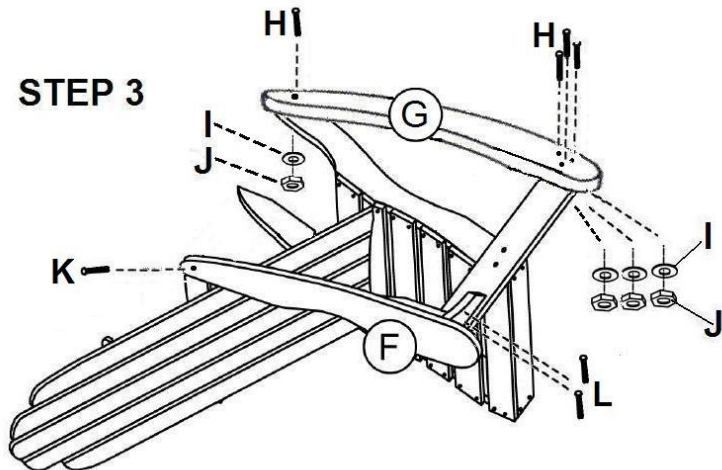


### STEP 2

Carefully lay the rocker on its side as shown. Using two 8 x 60mm carriage bolts (H) with flat washers (I) and nuts (J) attach the right leg (E) to the seat assembly. (The leg will be positioned with the arm brace facing upward and to the front of the seat assembly).

**NOTE: Do not completely tighten all fasteners at this time. Leave them a bit loose until the final step.**

### STEP 3

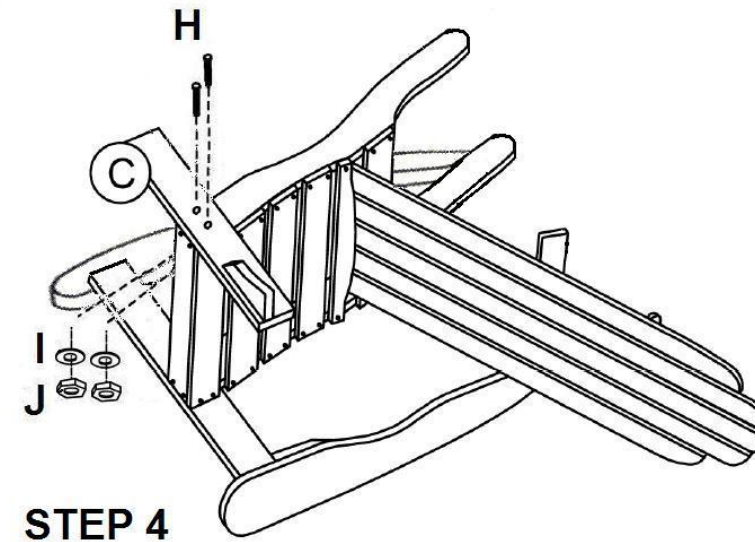


### STEP 3

Using four 8 x 60mm carriage bolts (H) with flat washers (I) and nuts (J) attach the right rocker (G) to the leg and seat assembly.

**NOTE: The rocker goes on the outside of the leg and seat assembly.**

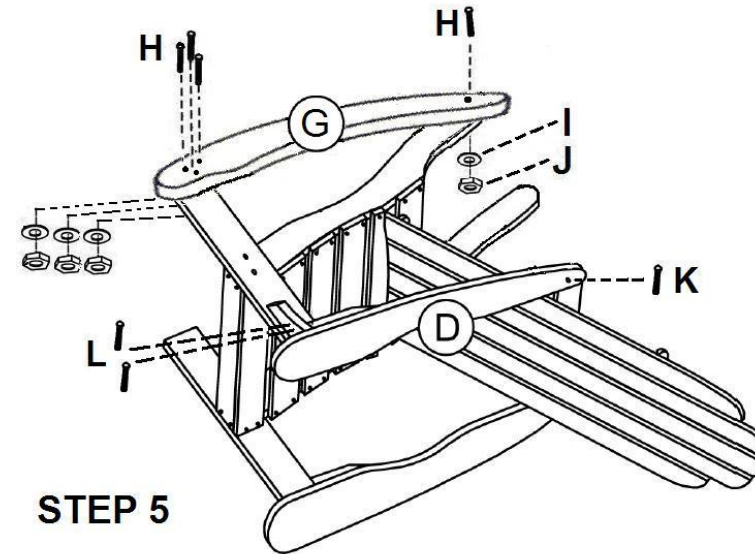
Using two 4 x 40mm wood screws (L) attach the right arm (F) to the leg. Attach the back end of the arm to the back support using one 6 x 45mm bolt (K).



### STEP 4

### STEP 4

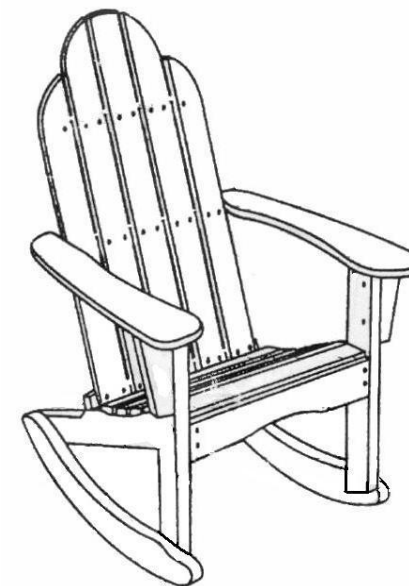
Turn the rocker onto its opposite side. Using instructions from STEP 2 attach the left leg (C) to the seat assembly.



### STEP 5

### STEP 5

Using instructions from STEP 3 attach the left arm (D) and rocker (G) to the leg and seat assembly



### STEP 6

Completely tighten all fasteners and enjoy your new rocker.