

FINISHING TIPS (For unfinished wood)

Your Decko Woods furniture is made from high quality, select grade fir. It is naturally resistant to rot and decay. Proper finishing will help assure the beauty and durability of your chair. If you choose to paint your chair, you should use an exterior grade primer followed by a high quality exterior oil or latex based paint. If you choose to have the product retain its natural color, you should apply a natural oil-based stain or preservative annually or as needed. When finishing, make sure you also treat the ends of the wood parts that come in contact with the ground.

If you leave the chair without adding any finish, it will weather to a silver gray color.

Contact your local paint store, home center or hardware store for other finishing recommendations.

MAINTENANCE

Very little maintenance is required for your furniture. Periodically check all fasteners to make sure they are properly secured. Re-tighten if necessary.

MANUFACTURER'S LIMITED WARRANTY

This product is covered under the manufacturer's 1 year limited warranty against defect in workmanship and materials. If your furniture fails structurally during normal use within on year of purchase, the manufacturer will repair or replace the defective piece at no charge.

The warranty excludes furniture used for commercial purposes, furniture damaged by acts of nature, abuse or lack of proper care or corrosion or rusting of hardware.

Proof of purchase (dated register receipt) is required for warranty claims.

DECKO
 Decko Products
 2301 Traffic St. NE
 Minneapolis, MN 55413
 1-800-495-9278

Thank You for your purchase of a finely crafted piece of furniture from Decko Woods. The following contains instructions for assembly as well as care and maintenance instructions. Please take a moment to completely read and familiarize yourself with this information. You will then be ready to assemble your furniture. If you have any questions regarding your purchase, please contact us at 1-800-495-9278

Tools Needed:

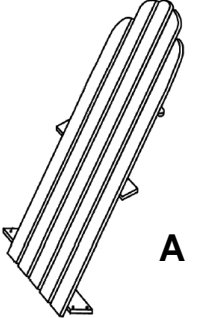
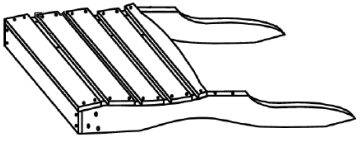





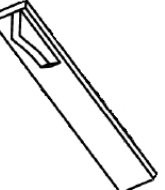
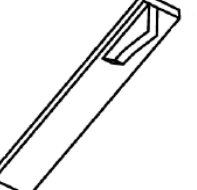
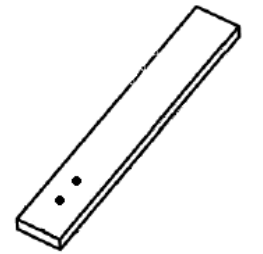


- Phillips Head Screwdriver
- Adjustable wrench

NOTE: It is **NOT** recommended to use power tools for assembly. They may cause over tightening and damage to your chair.

Parts List & Hardware

Item	Qty	Description
A	1	Back Assembly
B	1	Seat Assembly
C	1	Left Leg
D	1	Left Arm
E	1	Right Leg
F	1	Right Arm
G	2	Back Supports
H	10	Machine Screw 6 x 50 mm
I	10	Washer - 6mm
J	10	Nut - 6mm
M	10	Wood Screw - 4mm x 40mm
K	2	Wood Screw 5 x 60mm

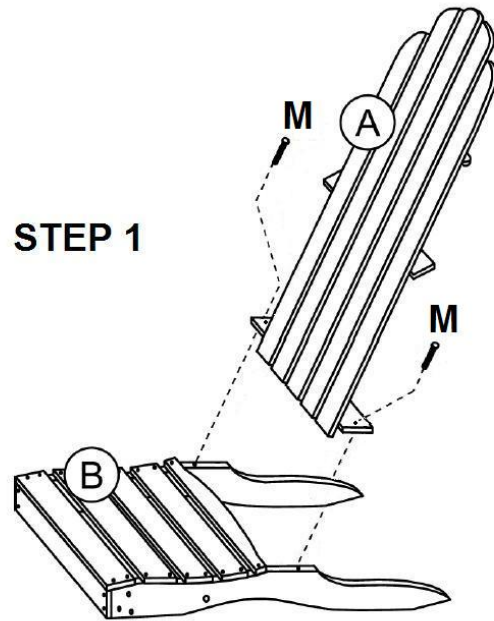
NOTE: Diagrams are not drawn to scale. Construction in diagrams may differ from actual chair.

ASSEMBLY TIPS

- Carefully read all of the steps and acquaint yourself with the wood parts and fastener sizes before starting assembly.
- Separate fasteners by size before starting assembly
- During assembly all hardware should be semi tightened until the final step

STEP 1



STEP 1

Lay seat assembly (B) flat on the ground. Using two 4 x 40 mm wood screws (M), attach the back assembly (A) to the seat assembly. **(NOTE:** There are no pre-drilled holes in the seat assembly. The screws will self thread into the wood).

STEP 2

Carefully lay the chair on its side as shown. Using three 6 x 50 mm machine screws (H) with flat washers (I) and nuts (J) attach the right leg (E) to the seat assembly. (The leg will be positioned with the arm brace facing upward and to the front of the seat assembly)

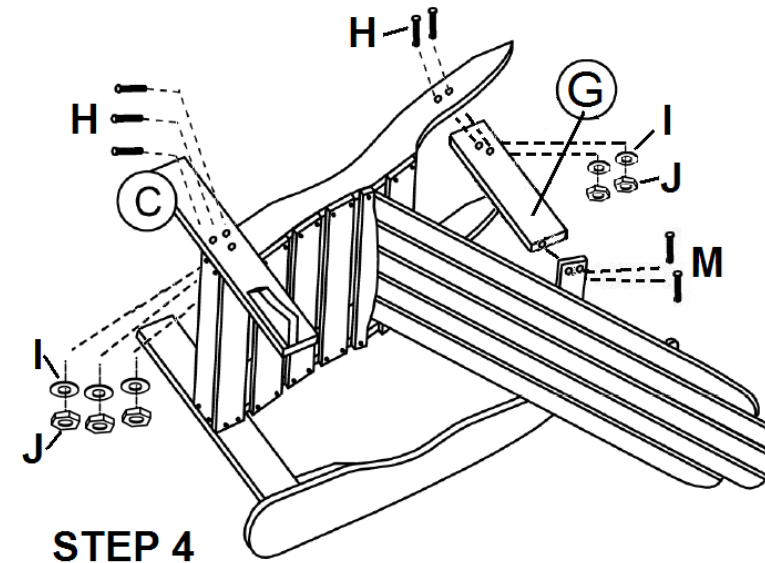
Using two 6 x 50 mm machine screws (H) with flat washers (I) and nuts (J) attach one back support (G) to the seat assembly. Attach other end of back support to back assembly using two 4 x 40 mm wood screws (M)

NOTE: Do not completely tighten all fasteners at this time. Leave them a bit loose until the final step.

STEP 3

Using two 4 x 40 mm wood screws (M) attach the right arm (F) to the leg.

Attach the back of the arm to the back assembly using one 5 x 60 mm wood screw (K)

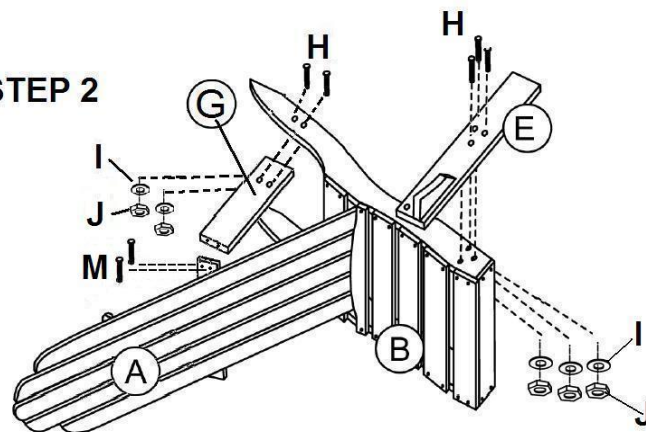


STEP 4

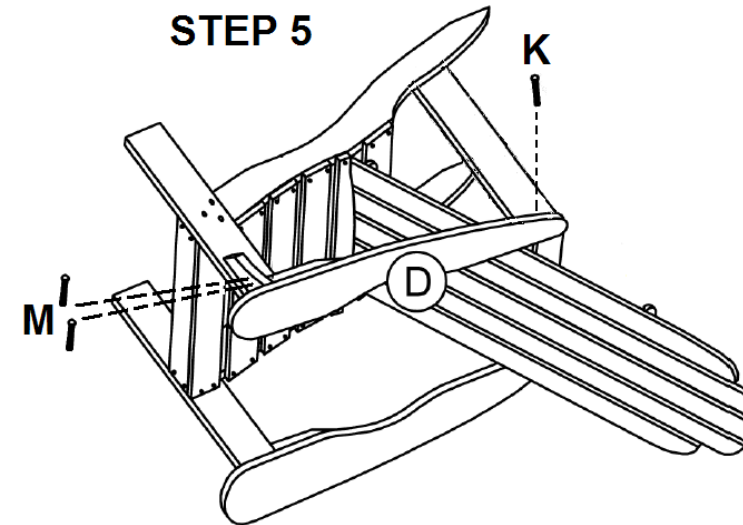
STEP 4

Turn chair onto its other side. Using instructions from **STEP 2** attach the left leg (C) and back support (G) to the seat and back assembly.

STEP 2



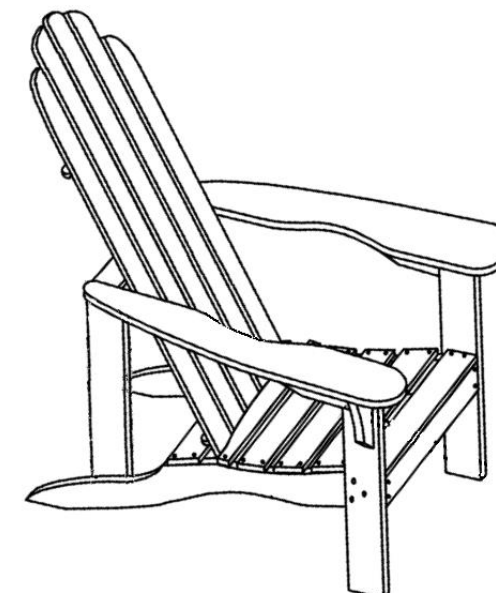
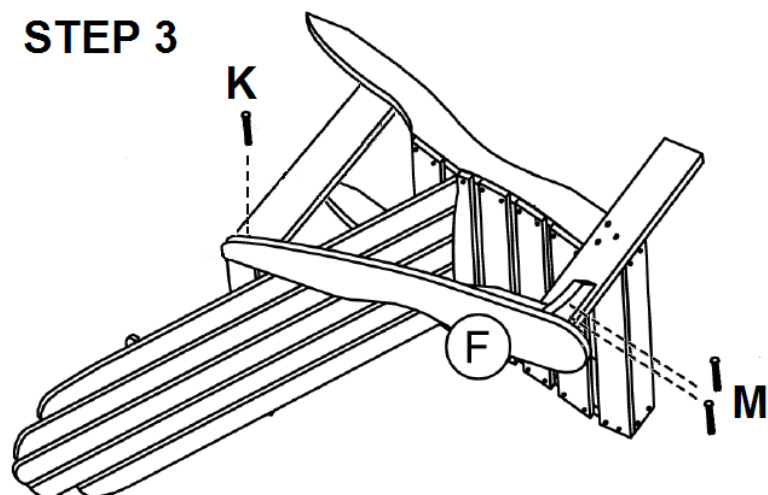
STEP 5



STEP 5

Using instructions from **STEP 3** attach the left arm (D) to the leg and back support assembly

STEP 3



STEP 6

Completely tighten all fasteners and enjoy your new chair.