

# Installation Guide

## 4 Sided Picnic Table Frame

**SKU# 272-0984**

**Model - 30024**

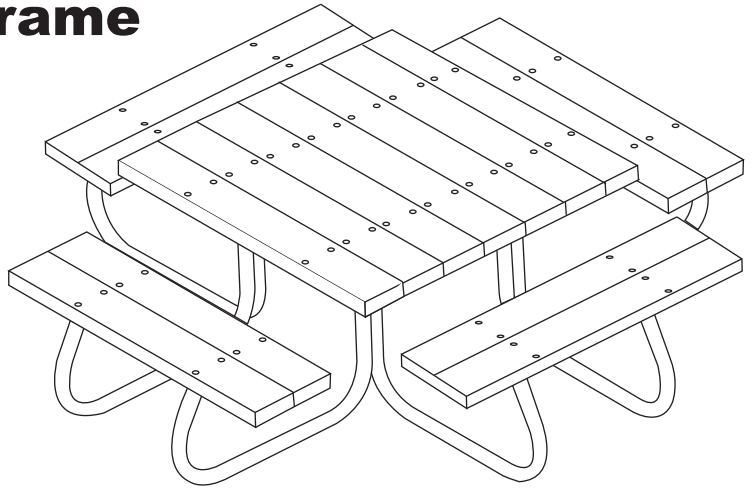
**Customer Service:**

**Decko Products**

**2301 Traffic St NE**

**Minneapolis, MN 55413**

**1-800-495-9278**



# IMPORTANT!

- **HAVING PROBLEMS?**
- **INSTALLATION QUESTIONS?**
- **NEED PARTS?**
- **TROUBLESHOOTING?**

**PLEASE DON'T RETURN THIS  
PRODUCT TO THE STORE**

CONTACT US FIRST

**Customer Service**

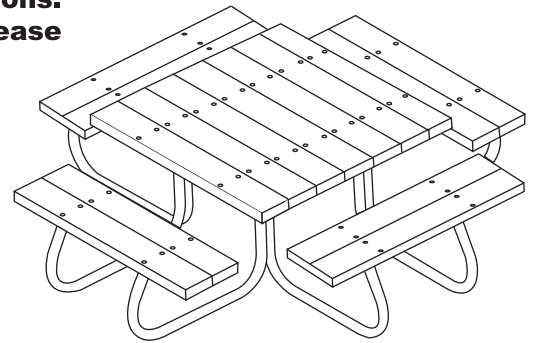
**1-800-495-9278**

Monday-Friday: 8:00 am - 5:00 pm Central Time

**MANUFACTURER'S LIMITED WARRANTY:**

This product is covered under the manufacturer's 1 year limited warranty against defects in workmanship and materials. If your Backyard Creations® furniture fails structurally during normal use within one year of purchase, the manufacturer will repair or replace the defective piece at no charge. The warranty excludes furniture used for commercial purposes, furniture damaged by acts of nature, abuse or lack of proper care or use of improper hardware. Proof of purchase (dated register receipt) is required for warranty claims.

The following manual contains assembly instructions as well as care and maintenance instructions. Please take a moment to completely read and familiarize yourself with these instructions. If you have any questions regarding your purchase, please contact us at 1-800-495-9278.



**WARNINGS:**

- NEVER overload the picnic table. Distribute weight evenly.
- ALWAYS use on a stable, level surface to prevent tipping.
- NEVER stand on the picnic table frame kit or use as a device to stand or step on.

**MAINTENANCE:**

- Periodically check all fasteners to ensure that the nuts and bolts are secure.
- Touch up any scratches with spray paint to prevent rusting.

**NOTE: USING ACQ TREATED LUMBER**

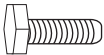
If you plan on using ACQ treated lumber for your picnic table, it is recommended to use stainless steel hardware.

**PARTS LIST**

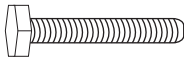
**A** 1/4" Nut - QTY: 8



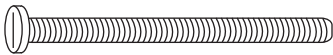
**B** 5/8" Bolt - QTY: 4



**C** 2" Bolt - QTY: 4



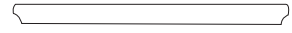
**D** 3-1/4" Bolt - QTY: 8



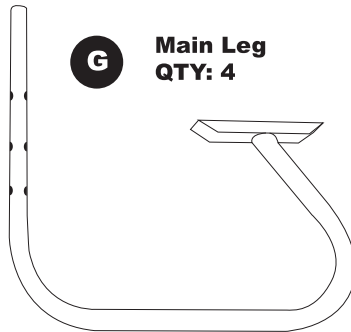
**E** Table Top Bracket  
QTY: 2



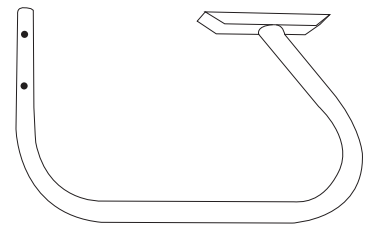
**F** Cross Support  
QTY: 2



**G** Main Leg  
QTY: 4



**H** Secondary Leg  
QTY: 4



**Tools & Materials required for assembly**  
Sold separately

- Lumber / Material / Decking
- Screwdriver
- Measuring tape
- Work gloves
- Saw (or use pre-cut lumber)
- Hammer
- Adjustable wrench or pliers
- Drill
- Drill Bit (1/4")
- 1/4"-20 carriage bolts (QTY: 60)\*
- 1/4"-20 nylon lock nuts (QTY: 60)\*
- \* See steps 5 & 6

**Additional Tools & Materials for Untreated Wood**  
Sold separately

- Sandpaper
- Brush
- Paint, Stain or Varnish
- Rubber gloves

**Lumber Plan (Sold Separately)**

2x6 Recommended Lumber				2x6 Cut Sizes			
	QTY.	Length	Size		QTY.	Length	Size
MATERIAL	4	12ft	2x6	TOP	7	3ft	2x6
				SEATS	8	3ft	2x6

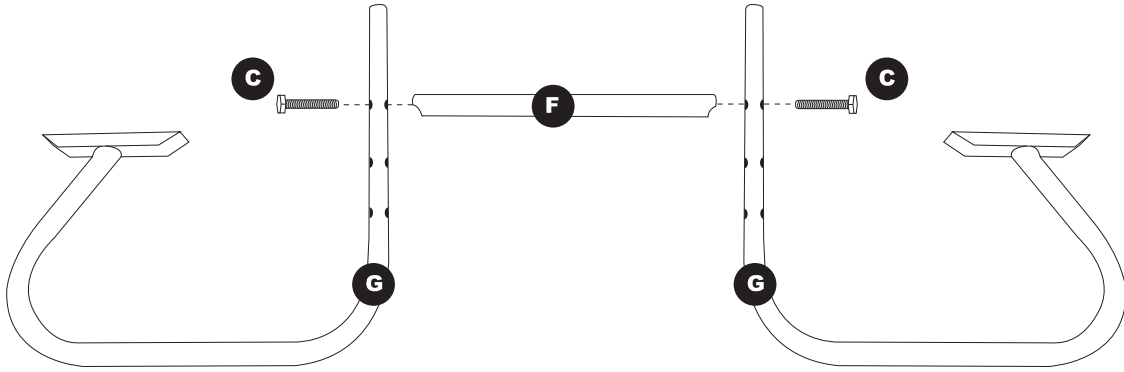
**Ultradeck® Material Plan (Sold Separately)**

1" x 5-1/8" Recommended Materials				1" x 5-1/8" Cut Sizes			
	QTY.	Length	Size		QTY.	Length	Size
Ultradeck®	4	12ft	1" x 5-1/8"	TOP	7	3ft	1" x 5-1/8"
End Caps	30		1" x 5-1/8"	SEATS	8	3ft	1" x 5-1/8"

# Assemble Picnic Table Frame

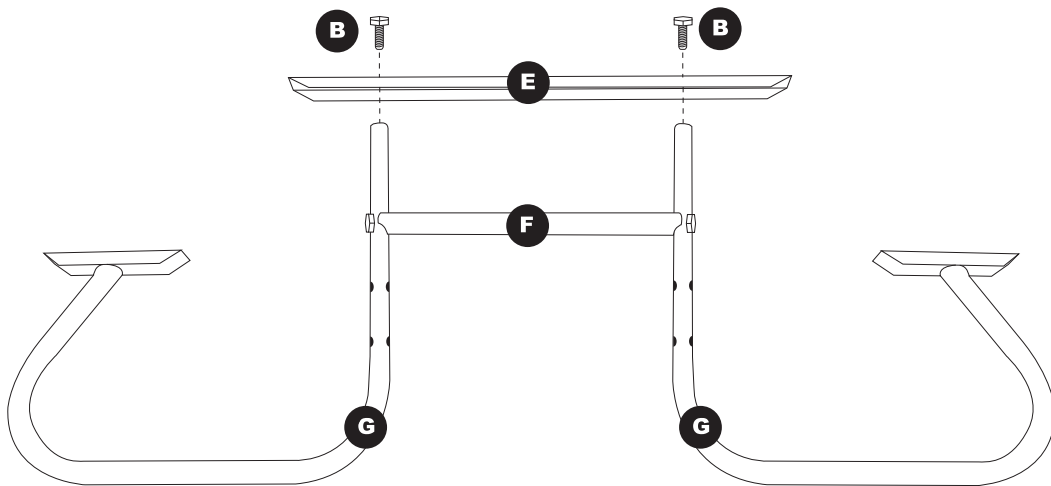
## Step 1

1. Assemble two main legs (G) to one cross support (F) with two 2" bolts (C).



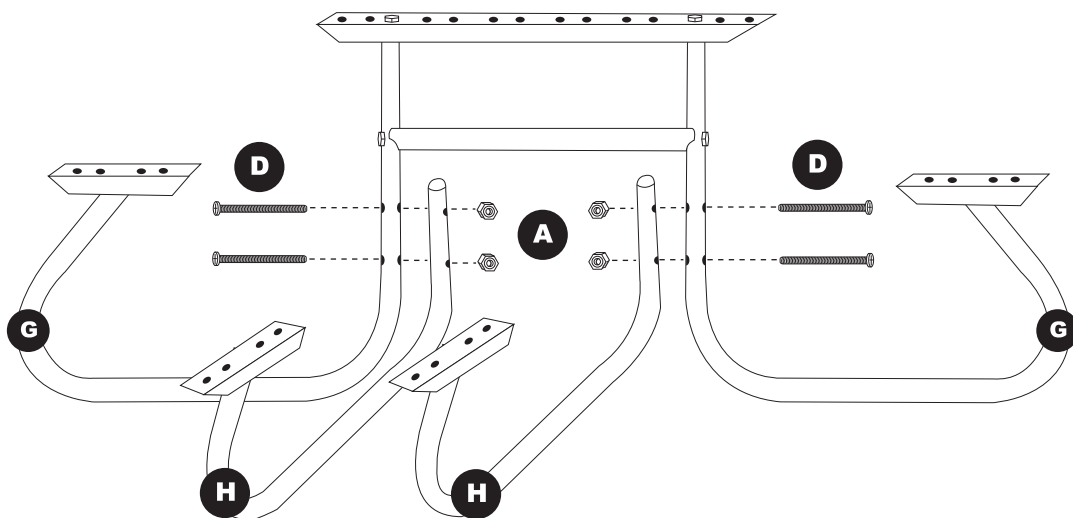
## Step 2

1. Attach one table top bracket (E) to the two main legs (G) with two 5/8" bolts (B).



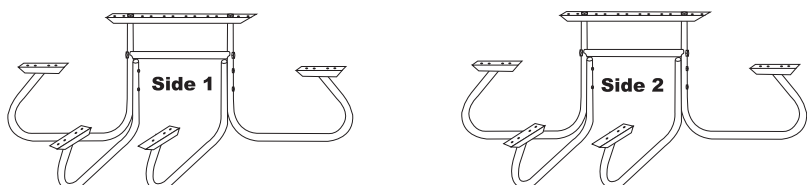
## Step 3

1. Attach two secondary legs (H) to the two main legs (G) with four 3-1/4" bolts (D) and four 1/4" nuts (A).  
2. Tighten all hardware.



## Step 4

1. Repeat all three previous steps to assemble the second frame section.

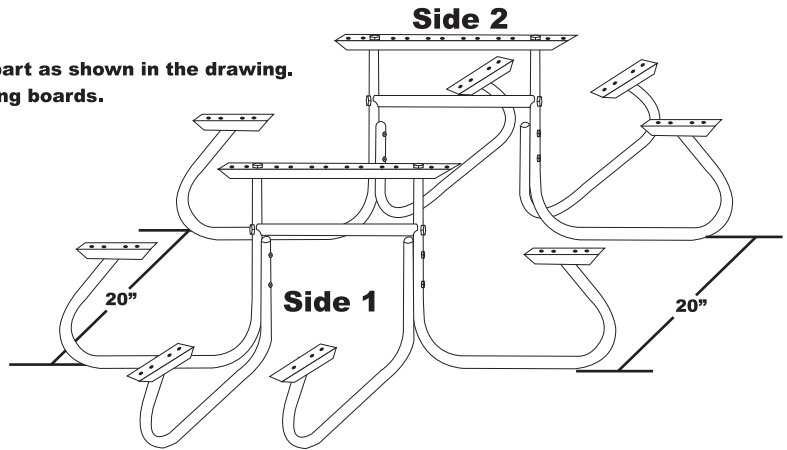
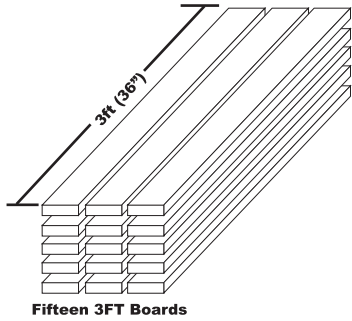


# Attach Material to Picnic Table

## (Material and Hardware Sold Separately)

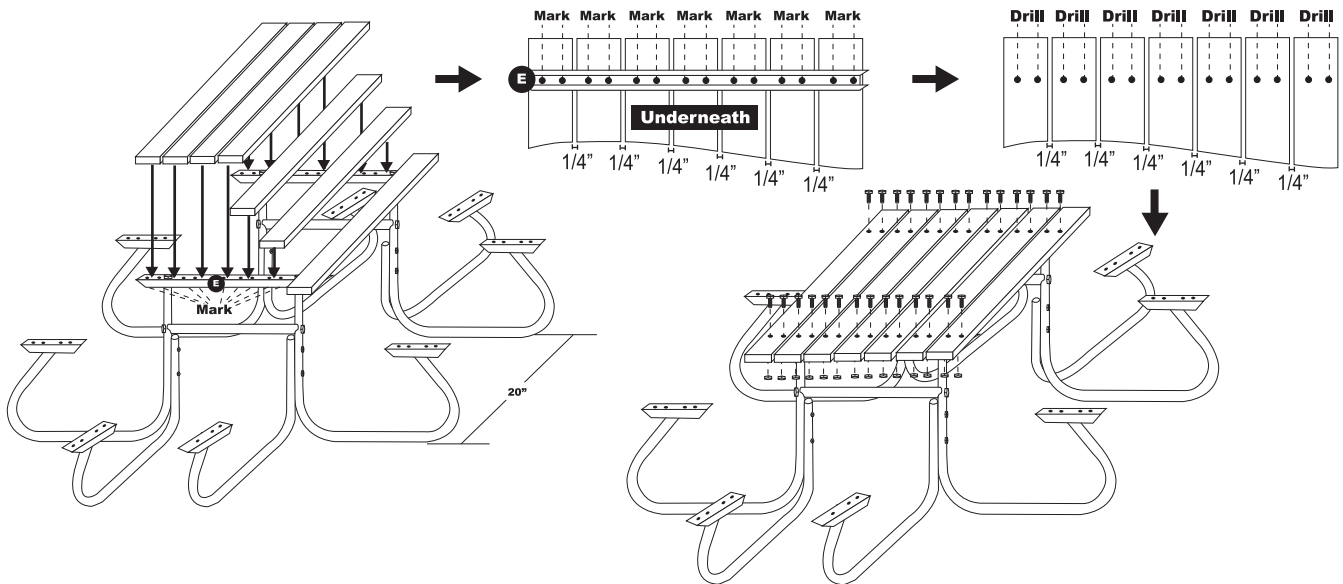
### Step 4

1. Space side 1 and side 2 approximately twenty inches apart as shown in the drawing.
2. Cut material / lumber (sold separately) into fifteen 3ft long boards.



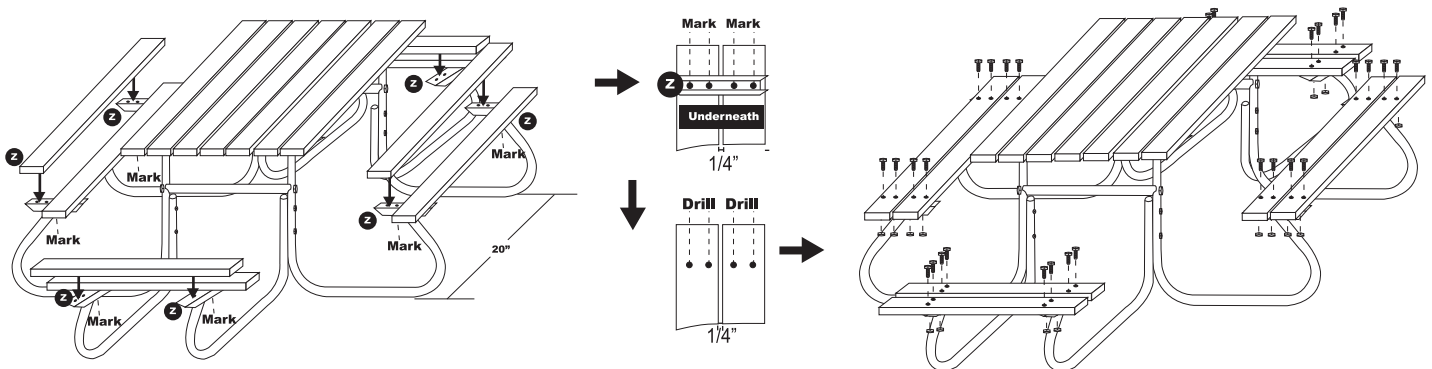
### Step 5

1. Place seven 3ft boards onto the table top brackets (E). Boards should be spaced approximately 1/4" apart.
2. From underneath use a pencil to mark all 3ft boards using the 28 holes in the table top brackets (E).
3. Remove boards and drill all 28 marked holes (the recommended drill size is 1/4").  
**Note: Recommended drill bit size is 1/4", drill bit size should be the same as purchased hardware (sold separately).**
4. Attach boards to table top brackets (E) using purchased hardware (sold separately).  
**Note: 1/4"-20 carriage bolts & 1/4"-20 nylon lock nuts are recommended for assembly. Depth of material determines length of bolts. Insert carriage bolt into material, with a hammer tap bolt flush with top, secure material to frame using nylon lock nuts.**



### Step 6

1. Place eight 3ft boards onto the picnic table seat brackets (Z). Boards should be spaced approximately 1/4" apart.
2. From underneath use a pencil to mark all 3ft boards using the 32 holes in the seat brackets (Z).
3. Remove boards and drill all 32 marked holes.  
**Note: Recommended drill bit size is 1/4", drill bit size should be the same as purchased hardware (sold separately).**
4. Attach boards to table top brackets (E) using purchased hardware (sold separately).  
**Note: 1/4"-20 carriage bolts & 1/4"-20 nylon lock nuts are recommended for assembly. Depth of material determines length of bolts. Insert carriage bolt into material, with a hammer tap bolt flush with top, secure material to frame using nylon lock nuts.**



### Step 7

You are done, enjoy your picnic table